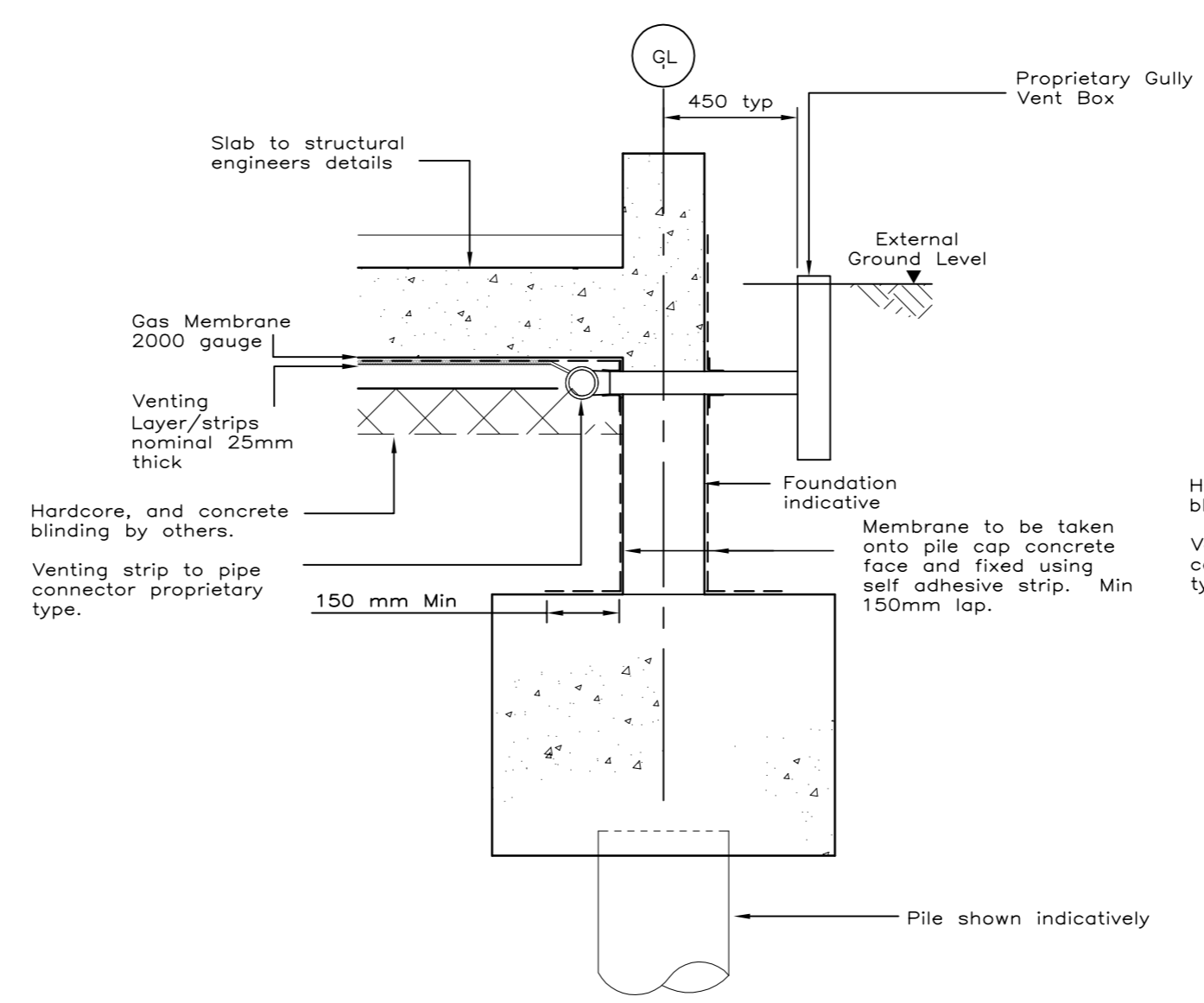
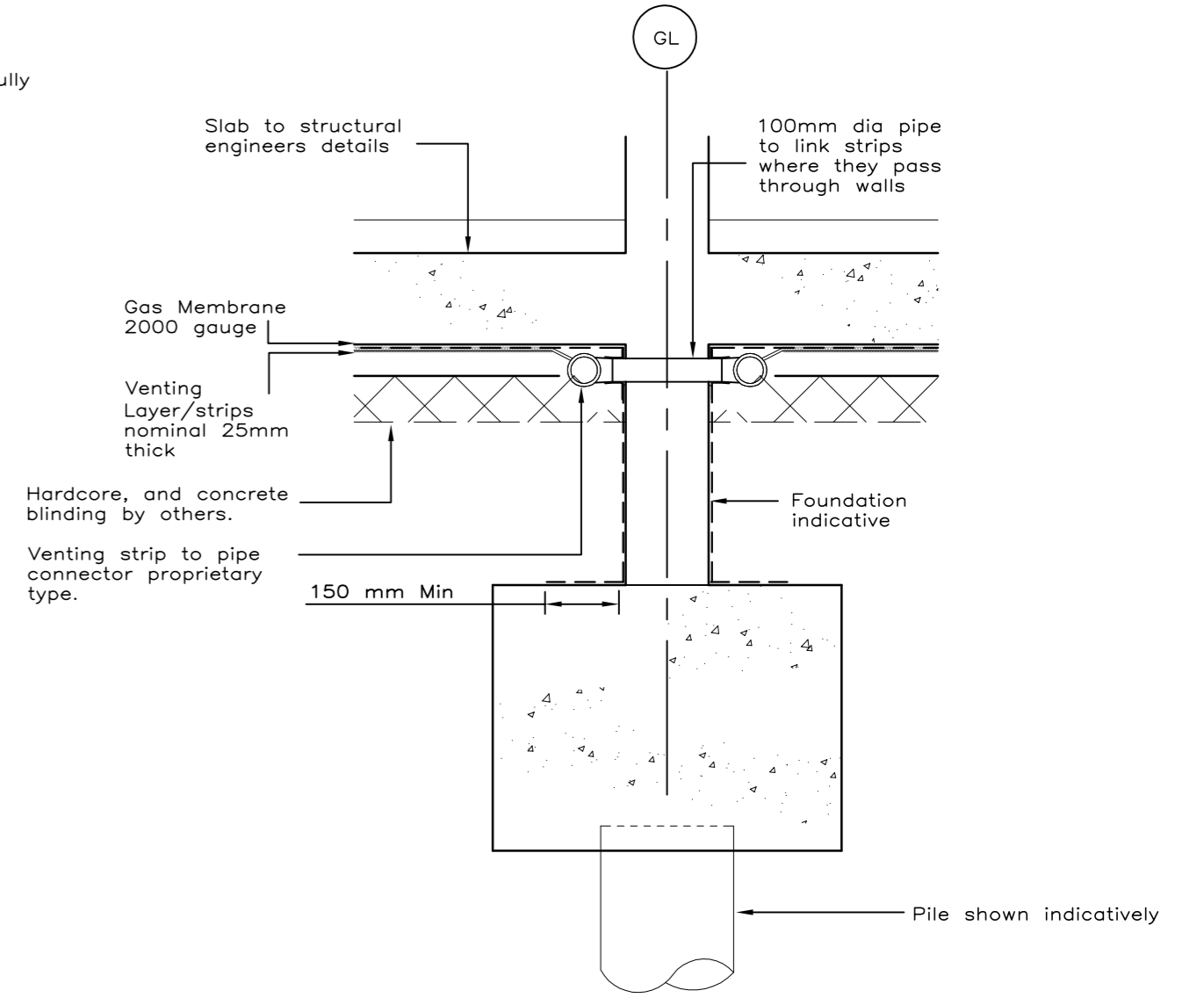


Gas Venting Plan
(1:150)

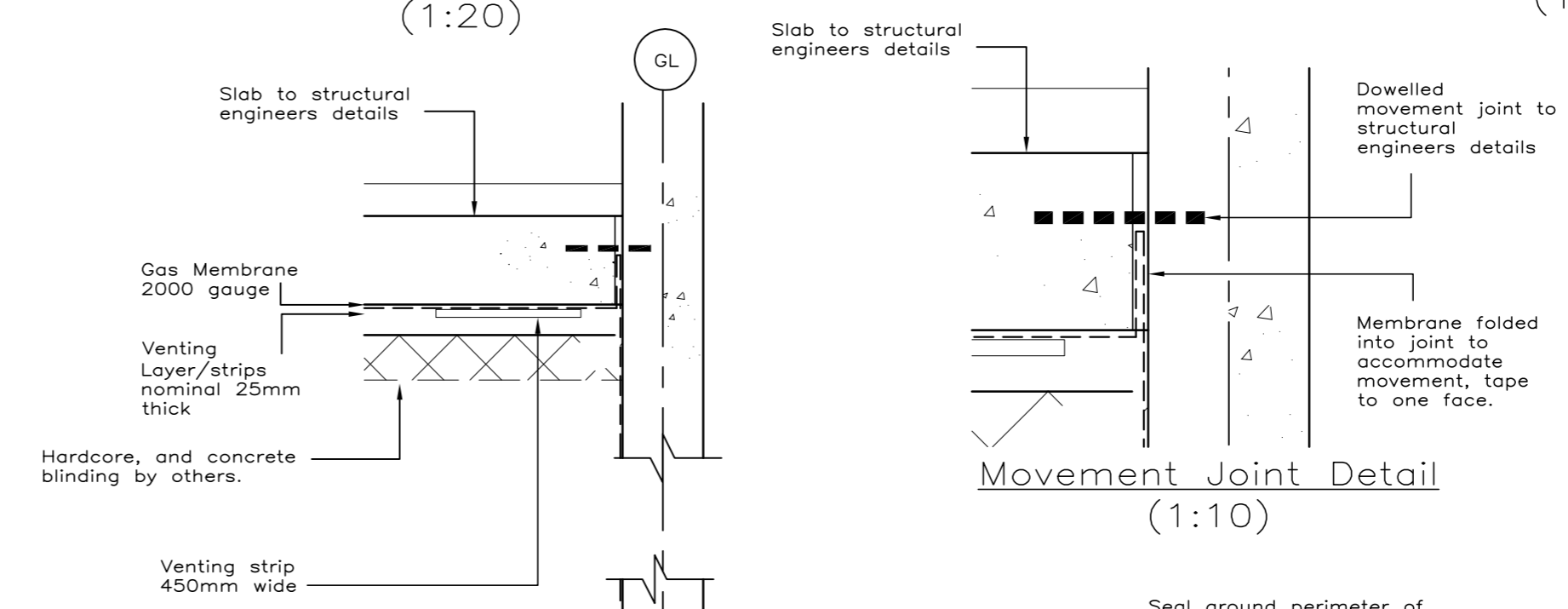
DO NOT SCALE FROM THIS DRAWING



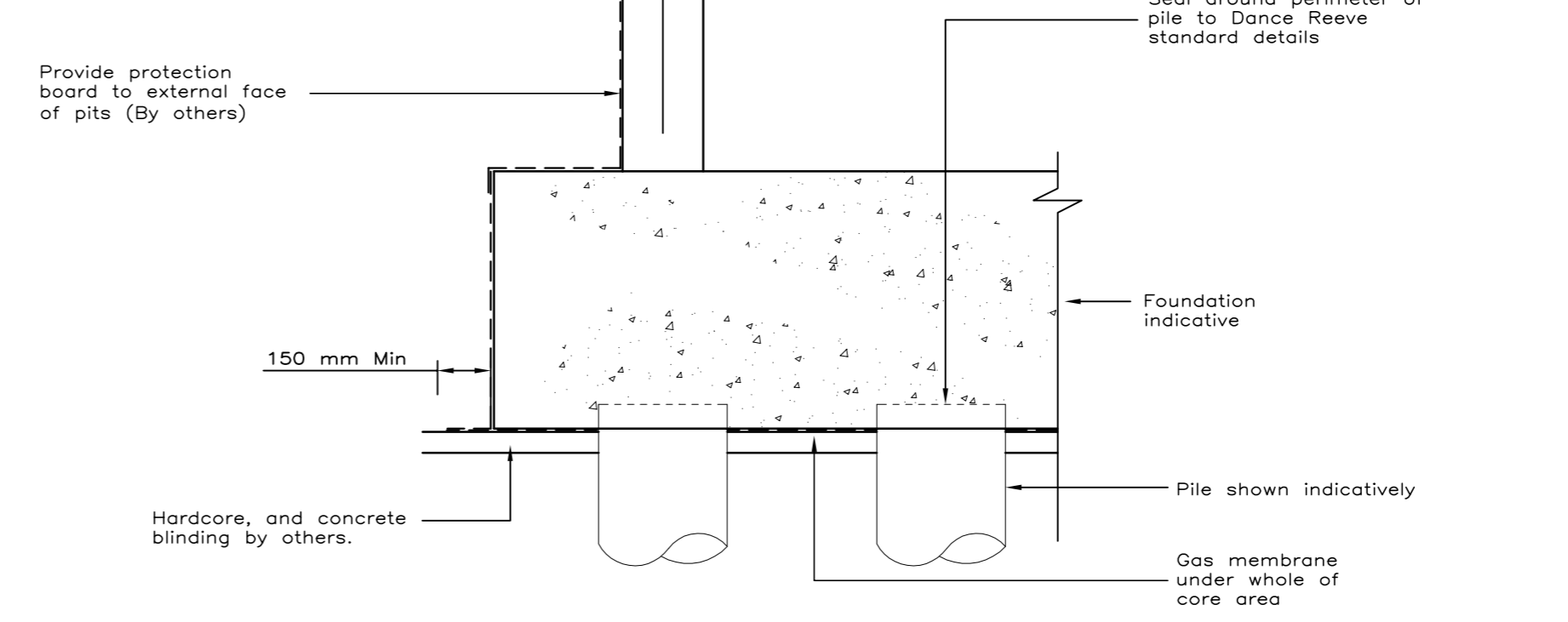
Section 1-1 - Typical Perimeter Detail
(1:20)



Section 2-2 - Detail Through Internal Load Bearing Wall
(1:20)



Movement Joint Detail
(1:10)



Section 3-3 - Detail Through Core Foundation
(1:20)

Notes

1. This drawing is indicative and based on un referenced architects layout. This drawing is to be read in conjunction with all architects and engineers drawings.
2. All work to be carried out generally in accordance with Dance -Reeve standard design details.
3. All dimensions shown are in millimetres and levels in metres unless noted otherwise.
4. Gas membrane to be Visqueen 2000 gauge installed with minimum 300mm laps hot air welded or taped. Membrane to be protected (by others) prior to casting the slab.
5. Venting layer to be HDPE type, nominal thickness 25mm with equivalent clear void of 13mm. Substrate to venting layer to be blinding concrete or sand.
6. Preformed laps/ top hats to be used around any slab penetrations including manholes and services.



Rev.	Amendment	Drn.	Chkd.	Appd.	Date

Under Slab Gas Venting Details

Scale at A2 1:150,20

Project / Drawing No.	Rev.
-----------------------	------